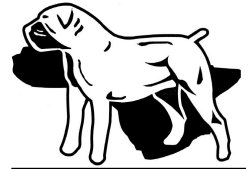




# South African Boerboel Breeders Association Registration Certificate

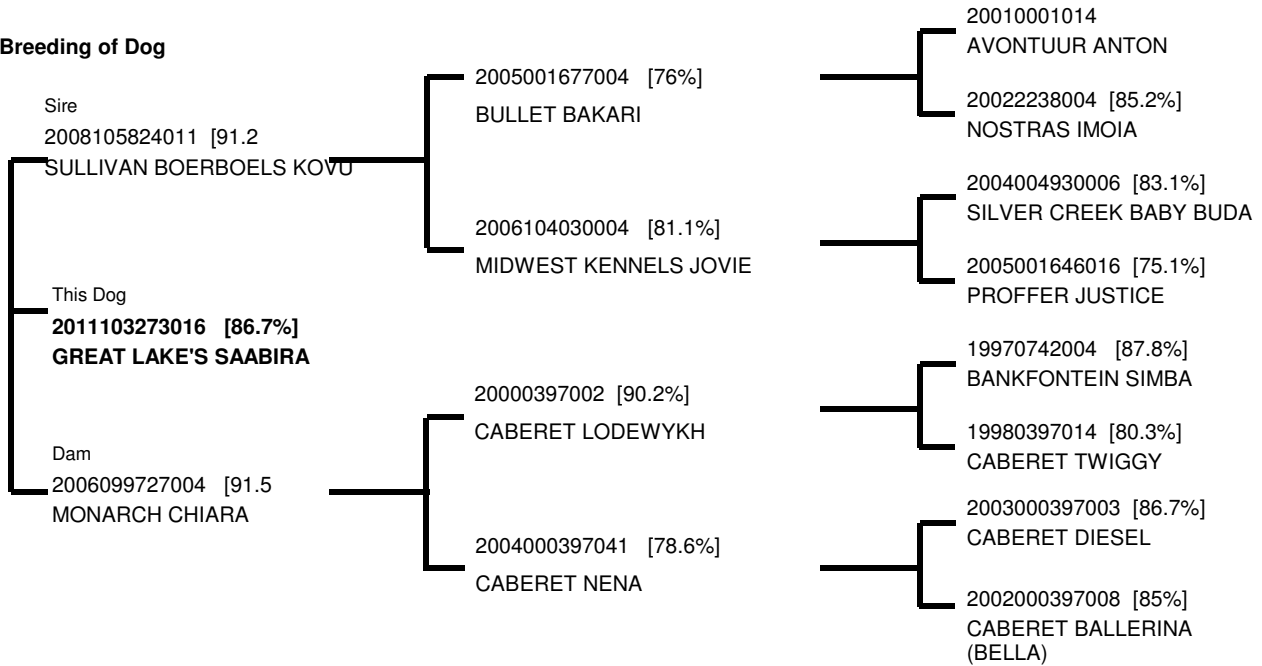


Name **GREAT LAKE'S SAABIRA**

7122455863439206155195103384

|                       |                              |                 |                   |           |                        |
|-----------------------|------------------------------|-----------------|-------------------|-----------|------------------------|
| Registration No.      | <b>2011103273016</b>         | Date of Birth   | <b>2011/08/19</b> | Gender    | <b>Female</b>          |
| Appraisal Status      | <b>Registration register</b> | Colour          | <b>Brown</b>      | Mask      | <b>Mild</b>            |
| Appraisal Date        | <b>2013/05/19</b>            | Appraisal Venue | <b>MARIPOSA</b>   | I-PET No. | <b>981020005405664</b> |
| Final Appraisal Point | <b>86.7%</b>                 |                 |                   |           |                        |

**Breeding of Dog**



| Classification         |        |       |
|------------------------|--------|-------|
| Gen. Appearance        | [8] :  | 6.00  |
| Head                   | [7] :  | 6.70  |
| Plateau                | [3] :  | 2.70  |
| Face                   | [6] :  | 5.10  |
| Muzzle                 | [3] :  | 2.10  |
| Eyes                   | [3] :  | 3.00  |
| Ear flaps              | [3] :  | 2.70  |
| Neck                   | [5] :  | 5.00  |
| Body                   | [6] :  | 5.40  |
| Chest                  | [4] :  | 4.00  |
| Fore Quarter Shoulders | [3] :  | 2.70  |
| Front Legs             | [3] :  | 2.40  |
| Pasterns               | [2] :  | 1.80  |
| Front Paws             | [4] :  | 3.60  |
| Hind Quarter           | [15] : | 10.90 |
| Skin/Coat              | [5] :  | 5.00  |
| Health                 | [4] :  | 4.00  |
| Temperament            | [8] :  | 8.00  |
| Movement               | [8] :  | 5.60  |

**Owner**  
D & J FULLER [110711]  
  
5767 DARRAH RD  
MARIPOSA, CA  
95338, USA

**Breeder**  
Mr T & B ALEXANDER [103273]  
  
P.O.BOX 839  
MT MORRIS, MI  
48458, USA

Certified correct

SABT Registration Officer

*Any changes or alterations which is not signed by the registration officer will void this document.*